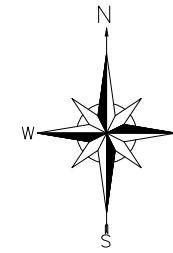
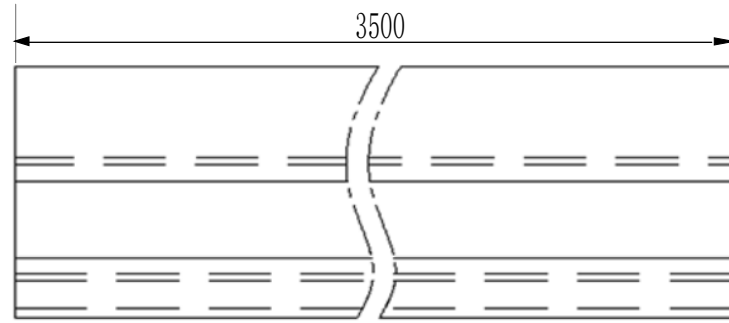
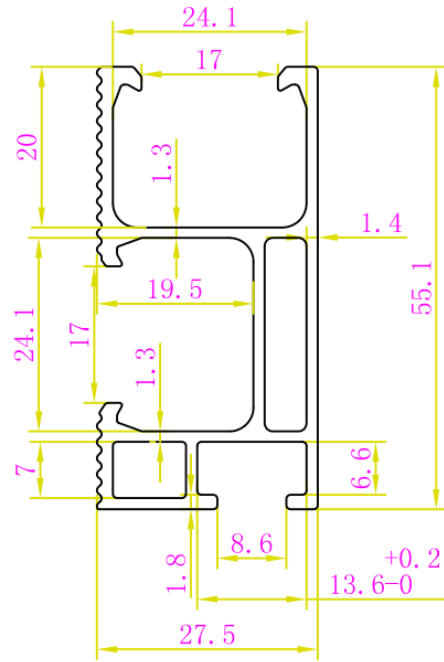


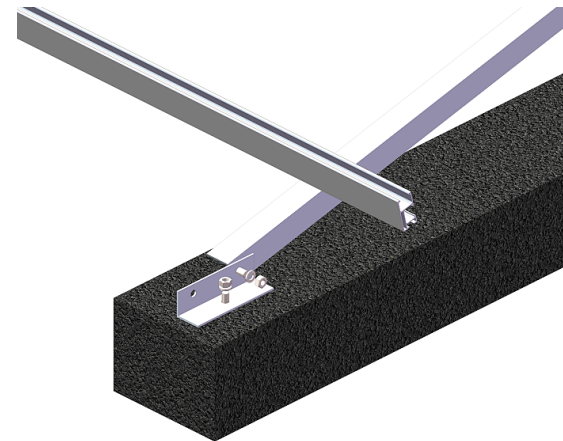
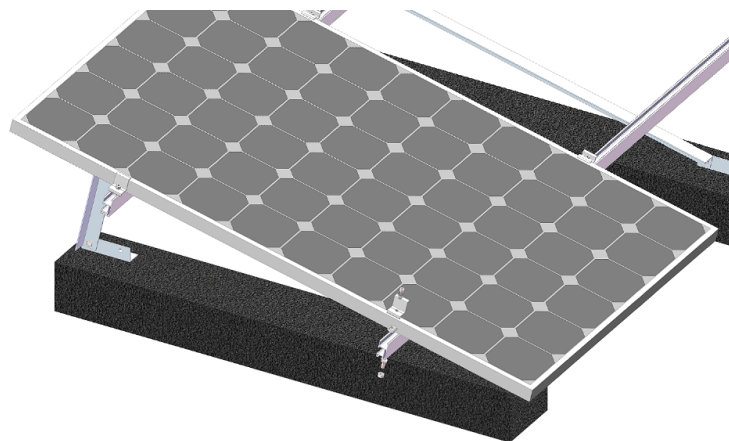
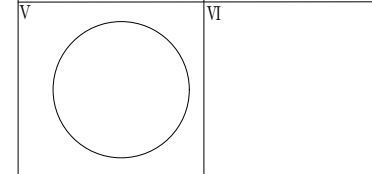
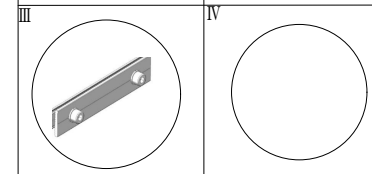
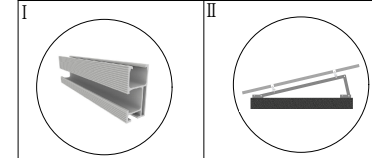
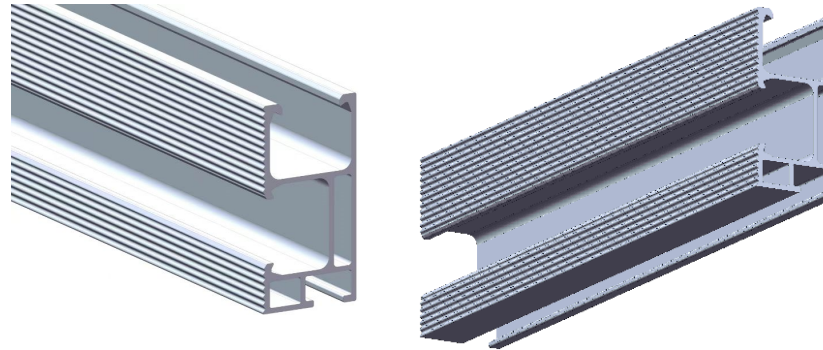
Note:
 1. Do Not Scale Drawings, Use Figured Dimensions Only;
 2. This drawing is valid only if with corresponding edition stamp.



| | |
|-------------------|-------------------|
| Project Name | PlusEnergySolarSL |
| Project Number | TriangleMount |
| Design Standard | |
| Exposure category | |

Design Conditions

| | |
|--------------------|--|
| Module dimension | |
| Module power | |
| Snow thickness | |
| Installation angle | |
| Wind speed | |
| Layout | |



| | | | |
|-----------|---------|---------|----|
| Design | | Chk' D | |
| Proofread | | Appv' D | |
| Scale | | View | |
| | Version | V1.0 | A4 |